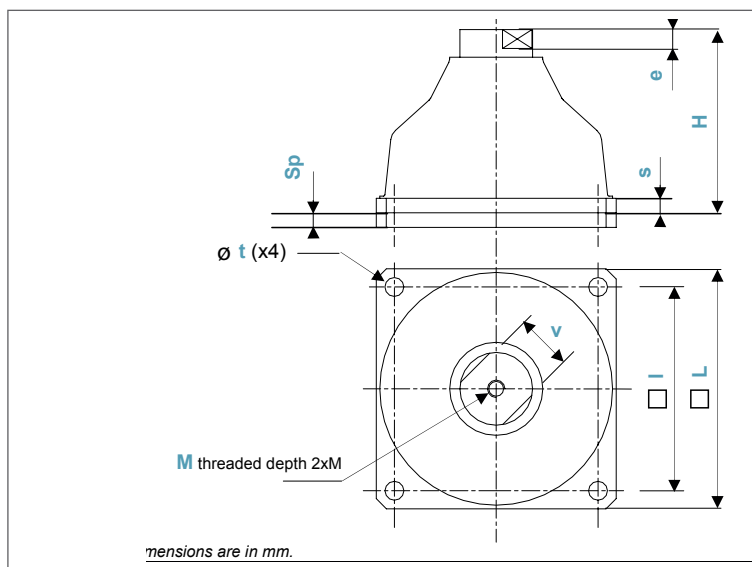


LOW FREQUENCY ELASTOMER MOUNTS: **BF** series **BFN45** DEFINITION



- Multidirectional anti-vibration/shock mounts.
- Displacement under shock from 45 to 55mm.
- Transmissibility : $Q < 10$.
- Resonant frequency 5 Hz for nominal load.
- Temperature range : -30°C $+70^{\circ}\text{C}$.
- Great adaptability / versatility.

SPECIALS ON REQUEST

(materials, size and interfaces, etc.)

Dimensions are in mm. For reference only.

SERIE	DIMENSIONS & LOAD										nom. load (daN)	axial stiffness (N.mm ⁻¹)	mass (kg)	
Materials and finishes	model	H	L	l	e	v	t	M	s	Sp				
BFN45 Elastomer: natural rubber Top and bottom interfaces: salt fog anti corrosion paint Other materials on request	-30	100	150	114	10	27	9	M10	5	-	(10)	30	25	1,2 (2,3)
	-45											45	40	
	-60											60	50	
	-85											85	65	
	-110											110	85	
	-130	130	100											
	-170	126	165	140	13	41	13	M20	10	-	(5)	170	130	3,4 (3,8)
	-230											230	175	
	-320											320	210	
	-425											425	290	
	-500	154	250	210	14	41	18	M24	15	-		500	400	12,5
	-625											625	500	
	-800											800	650	
	-1080											1080	840	

EXAMPLE
BFN45-110e10

B	F	N	4	5	-	1	1	0	e	1	0
---	---	---	---	---	---	---	---	---	---	---	---

SPACER: e10
thickness: 10mm

PREFIX:
'low frequency' mount from the BFN45 series

MODEL: -110
height: 100mm
width: 150mm
interface: M10

nom. load: 110 daN
axial average stiffness:
85 N.mm⁻¹

